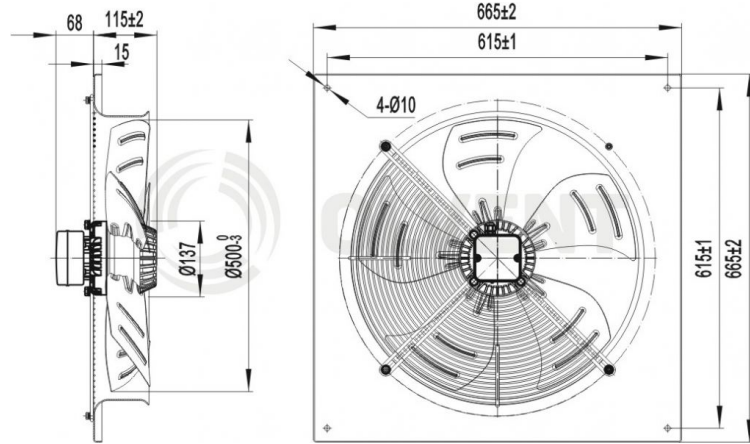
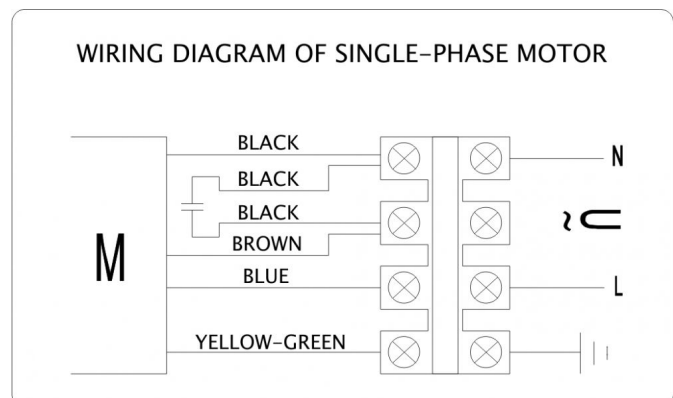
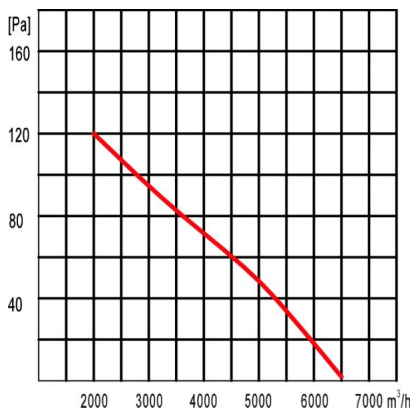


Airflow direction: blowing



|                                |                   |              |
|--------------------------------|-------------------|--------------|
| Diameter:                      | mm                | 500          |
| Voltage:                       | V                 | 230          |
| Frequency:                     | Hz                | 50           |
| Air flow:                      | m <sup>3</sup> /h | 6500         |
| Speed:                         | min <sup>-1</sup> | 1320         |
| Input power:                   | W                 | 420          |
| Current:                       | A                 | 2,0          |
| Capacitor:                     | µF/500 V          | 10           |
| Sound pressure level:          | dB(A)             | 69           |
| Internal thermal protection :  | °C                | 150±5        |
| Protection class:              | IP                | 54           |
| Compliance with directive ERP: |                   | 2015         |
| General efficiency:            | ηstatA%           | 32,8         |
| Efficiency ratio:              |                   | 41,52        |
| Net weight:                    | kg                | 9,0          |
| Gross weight:                  | kg                | 11,0         |
| Dimensions of package:         | cm                | 55 x 55 x 22 |



Pictures of some products may vary. Every effort was made to information contained in this catalog are correct. Due to the continuous technological development we reserve the right to make changes without notice.