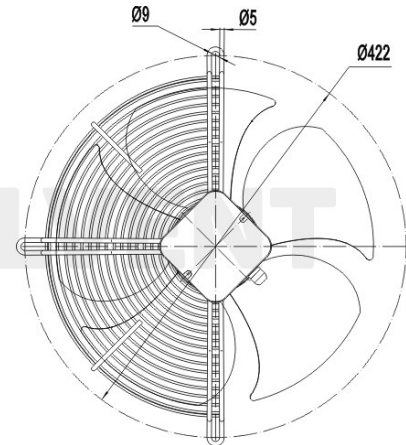
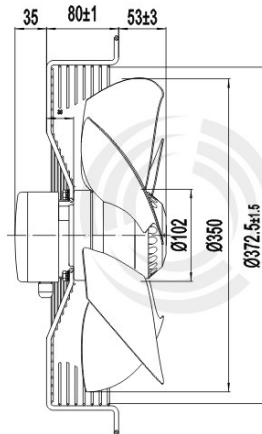
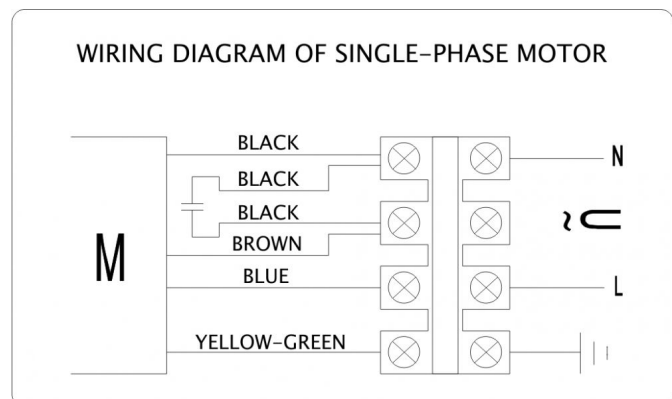
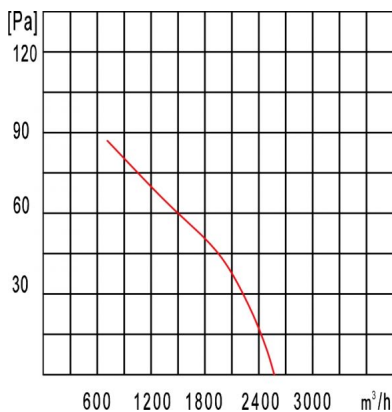


Airflow direction: blowing



Diameter:	mm	350
Voltage:	V	230
Frequency:	Hz	50
Air flow:	m <sup>3</sup> /h	2670
Speed:	min <sup>-1</sup>	1350
Input power:	W	110
Current:	A	0,48
Capacitor:	µF/500 V	4
Sound pressure level:	dB(A)	58
Internal thermal protection :	°C	150±5
Protection class:	IP	54
Net weight:	kg	5,0
Gross weight:	kg	6,0
Dimensions of package:	cm	39 x 39 x 20,5



Pictures of some products may vary. Every effort was made to information contained in this catalog are correct. Due to the continuous technological development we reserve the right to make changes without notice.