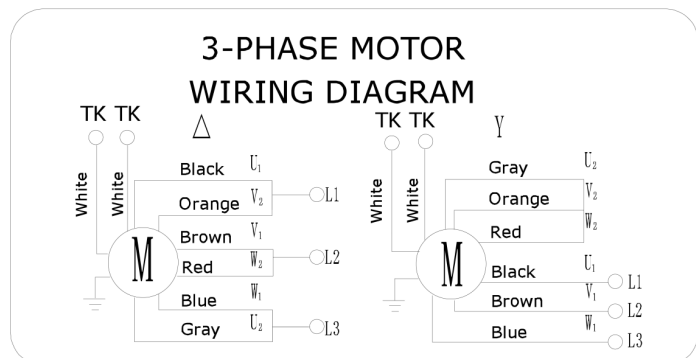
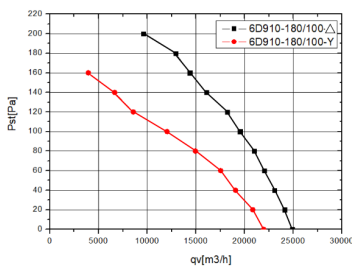


Diameter:	mm	910
Voltage:	V	380
Frequency:	Hz	50
Air flow:	m ³ /h	Δ=24101 Y=20836
Speed:	min ⁻¹	Δ=910 Y=740
Input power:	W	Δ=1800 Y=1400
Current:	A	Δ=3.75 Y=2.35
Sound pressure level:	dB(A)	Δ=84 Y=78
Internal thermal protection :	°C	150±5
Protection class:	IP	IP55
Net weight:	kg	50
Gross weight:	kg	55
Dimensions of package:	cm	100 x 100 x 32



Pictures of some products may vary. Every effort was made to information contained in this catalog are correct. Due to the continuous technological development we reserve the right to make changes without notice.